

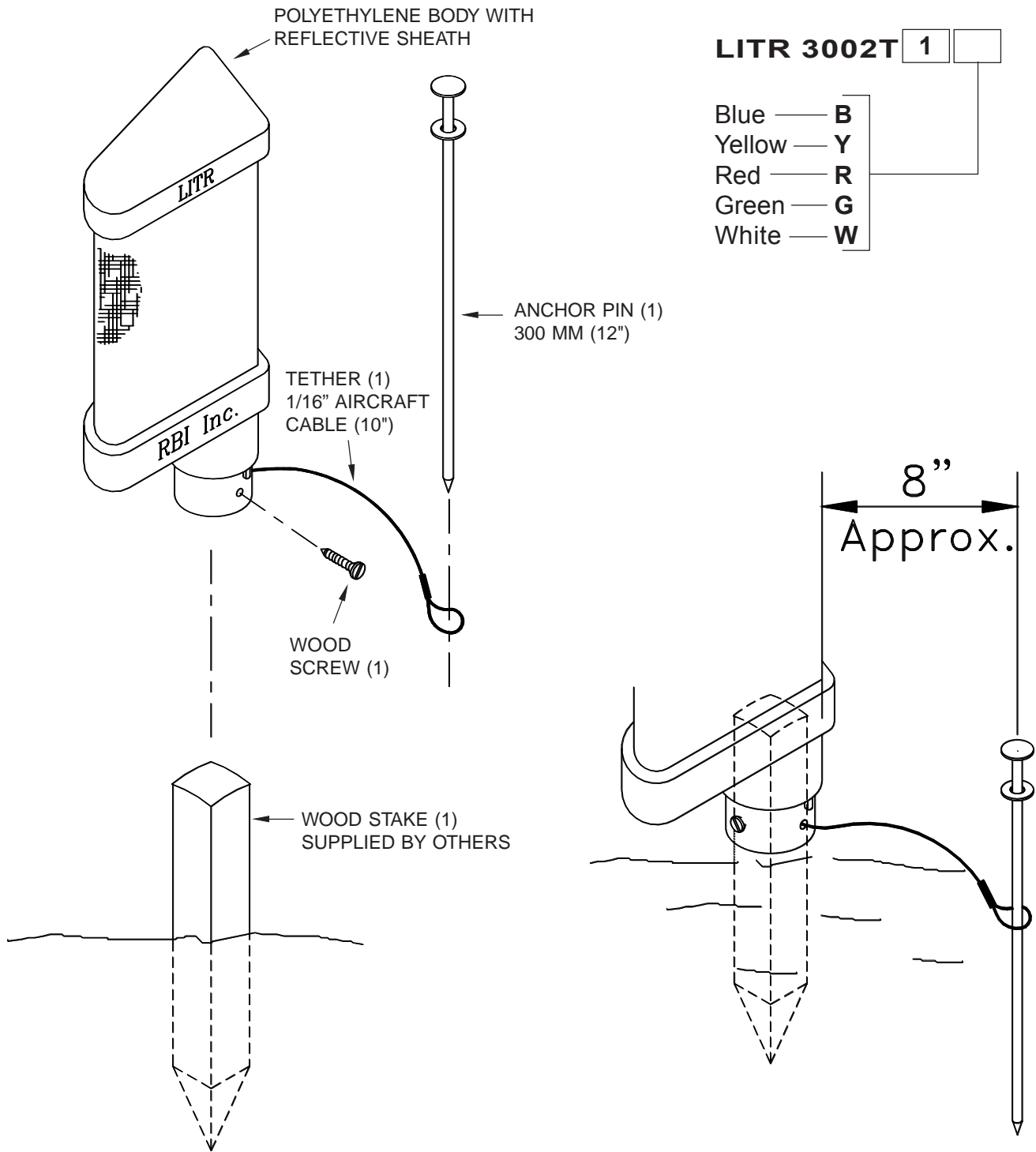
# Cut Sheet

Model: **LITR 300-2T-1**  
**Stake Mount**

## ORDERING INFORMATION

**LITR 3002T**

Blue — **B**  
 Yellow — **Y**  
 Red — **R**  
 Green — **G**  
 White — **W**



Creation Date: 11/11/02

Approved By:

Revisions: 11/12/02

Rev. No.: 01

Rev. Approval:

Drawn By: Steve McCarley

Approval Date:

Tether attachment to back; one screw only;  
 misc. text corrections

Rev. Date:

REGINALD BENNETT INTERNATIONAL INC. **RBI**

"OUR PRODUCTS SAVE LIVES"

835 Westney Road South, Unit 12, Ajax, Ontario, Canada L1S-3M4; Ph. (905) 686-8833, Fax (905) 686-5619

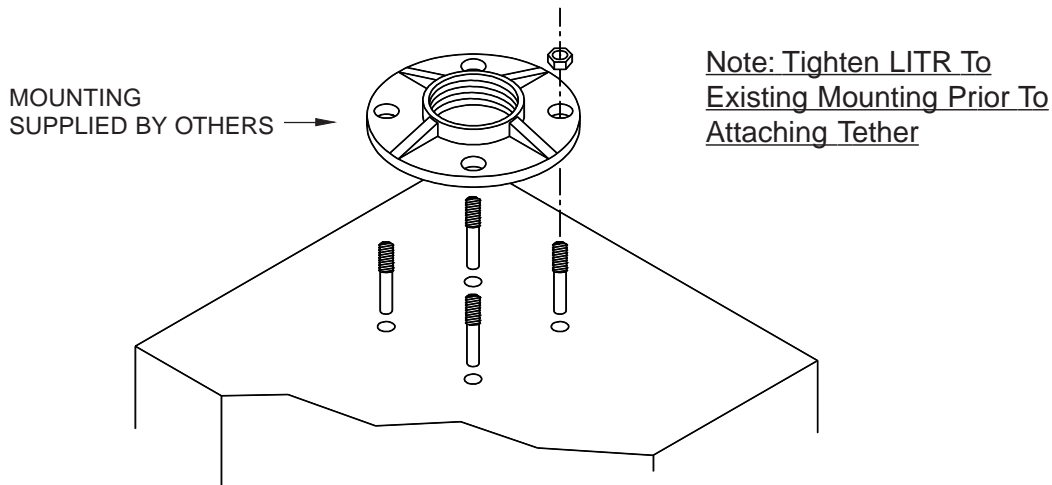
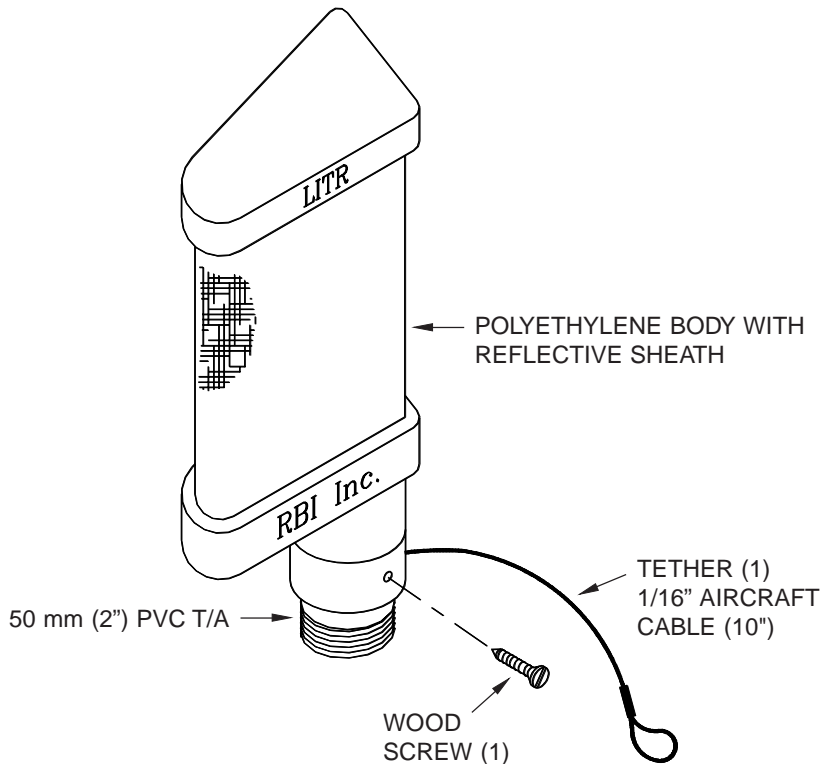
# Cut Sheet

Model: **LITR 300-2T-2**  
With PVC T/A

## ORDERING INFORMATION

**LITR 3002T**

Blue — **B**  
 Yellow — **Y**  
 Red — **R**  
 Green — **G**  
 White — **W**



Creation Date: 11/11/02	Approved By:	Revisions: 11/12/02	Rev. No.: 01	Rev. Approval:
Drawn By: Steve McCarley	Approval Date:	Tether attachment to back; add wood screw; misc. text corrections		Rev. Date:

REGINALD BENNETT INTERNATIONAL INC. **RBI**  
 "OUR PRODUCTS SAVE LIVES"

835 Westney Road South, Unit 12, Ajax, Ontario, Canada L1S-3M4; Ph. (905) 686-8833, Fax (905) 686-5619

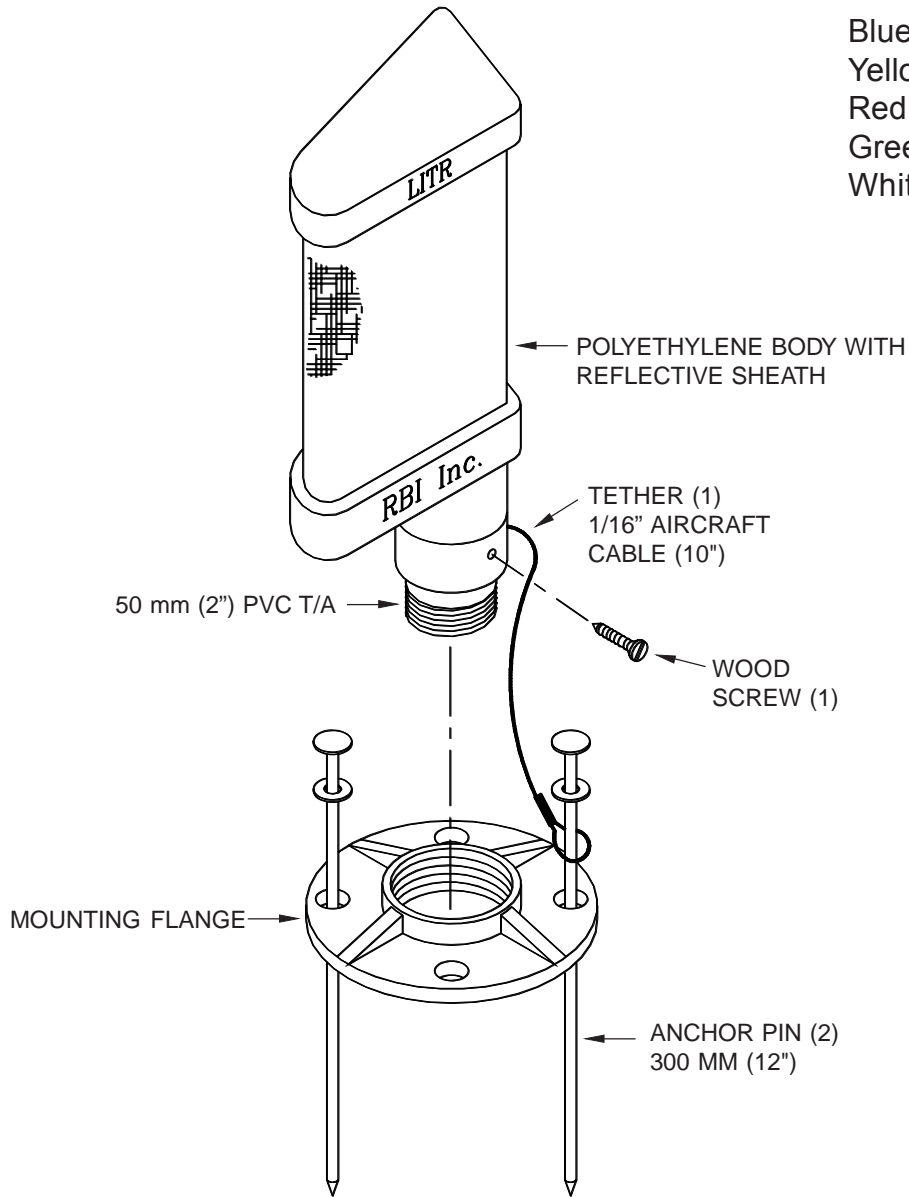
# Cut Sheet

Model: **LITR 300-2T-3**  
**With Flange & Pins**

## ORDERING INFORMATION

**LITR 3002T**

Blue — **B**  
 Yellow — **Y**  
 Red — **R**  
 Green — **G**  
 White — **W**



Creation Date: 11/11/02

Approved By:

Revisions: 11/12/02

Rev. No.: 01

Rev. Approval:

Drawn By: Steve McCarley

Approval Date:

Tether attachment to back; add wood screw;  
 misc. text corrections

Rev. Date:

REGINALD BENNETT INTERNATIONAL INC. **RBI**

"OUR PRODUCTS SAVE LIVES"

835 Westney Road South, Unit 12, Ajax, Ontario, Canada L1S-3M4; Ph. (905) 686-8833, Fax (905) 686-5619

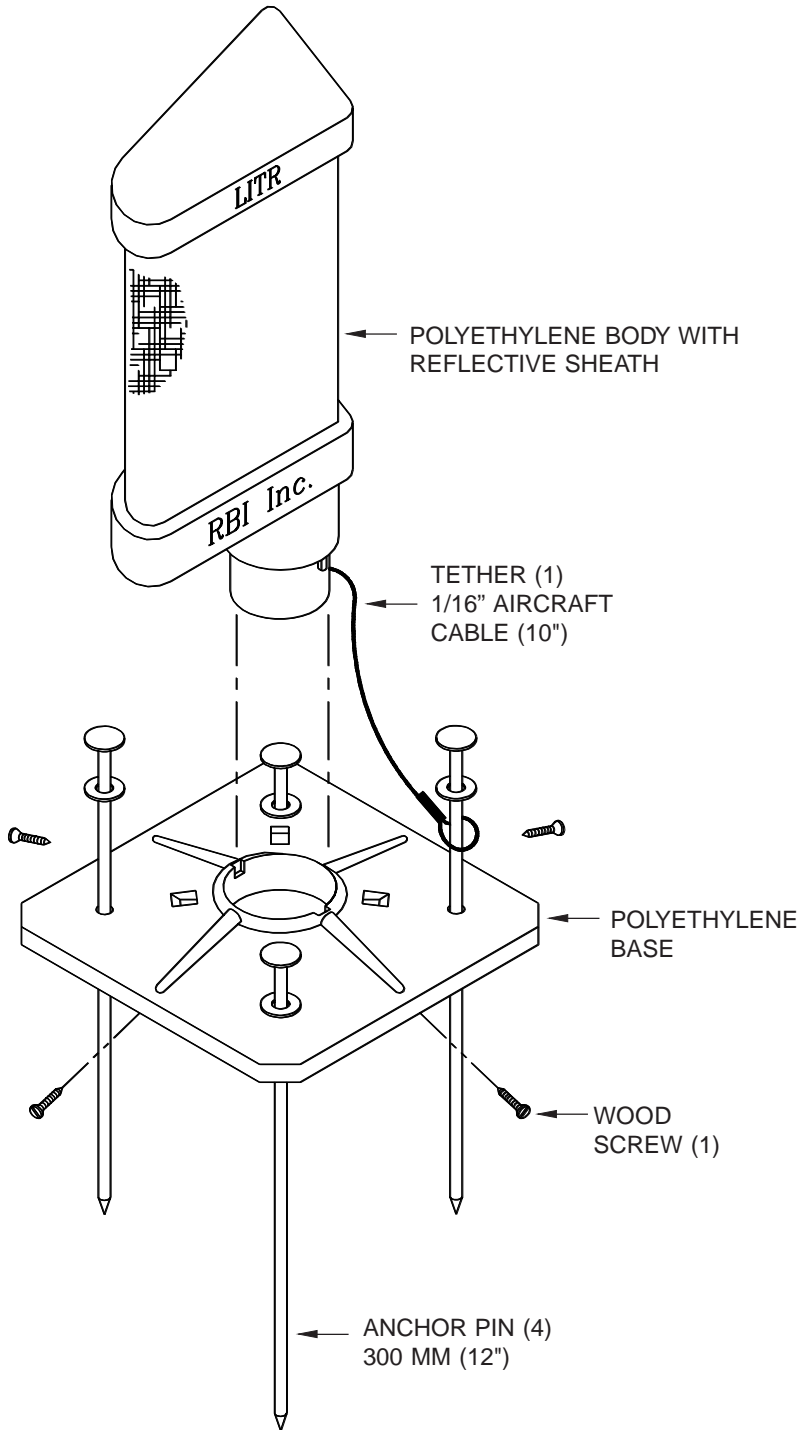
# Cut Sheet

Model: **LITR 300-2T-4**  
With Polyethylene Base

## ORDERING INFORMATION

**LITR 3002T**

Blue — **B**  
 Yellow — **Y**  
 Red — **R**  
 Green — **G**  
 White — **W**



Creation Date: 11/11/02

Approved By:

Revisions: 11/12/02

Rev. No.: 01

Rev. Approval:

Drawn By: Steve McCarley

Approval Date:

Tether attachment to back; show 4 anchors;  
misc. text corrections

Rev. Date:

REGINALD BENNETT INTERNATIONAL INC. **RBI**

"OUR PRODUCTS SAVE LIVES"

835 Westney Road South, Unit 12, Ajax, Ontario, Canada L1S-3M4; Ph. (905) 686-8833, Fax (905) 686-5619