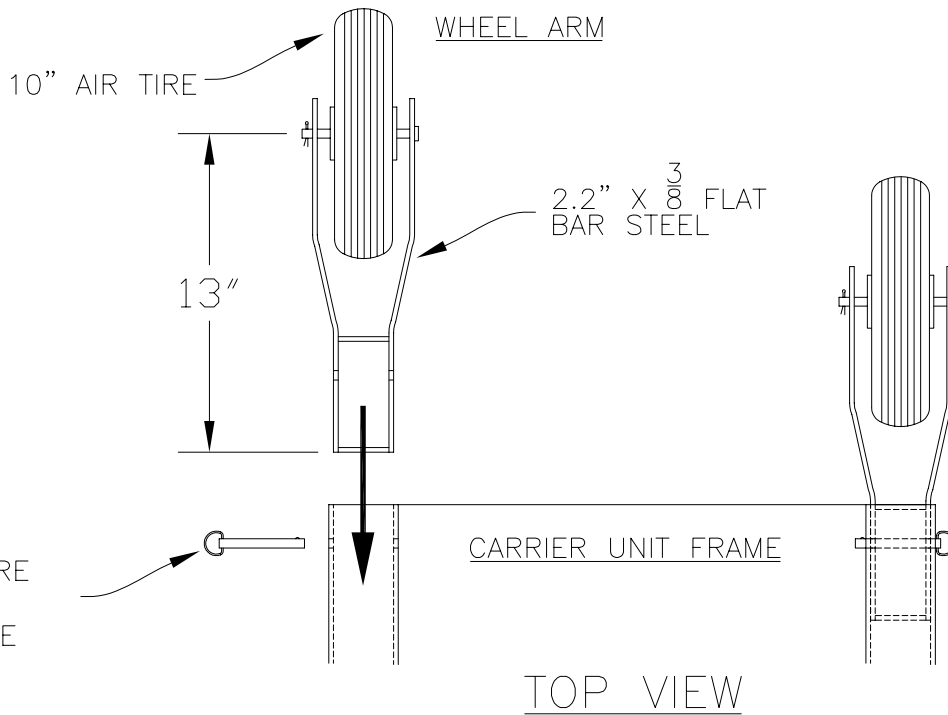
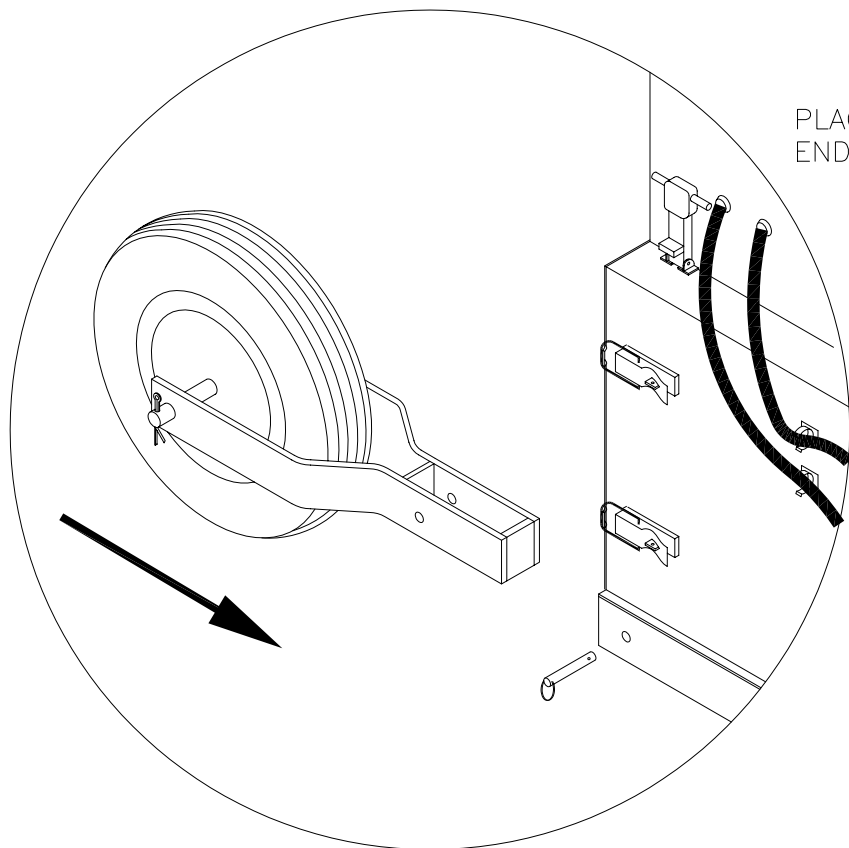


PLACE WHEELS AT POWER CABINET  
END OF CARRIER UNIT



12 mm PINS SECURE  
WHEEL ARMS TO  
CARRIER UNIT FRAME

**NOTES:**

- INSERT OPTIONAL WHEEL ARMS AT THE POWER CABINET END OF THE PORTABLE CARRIER FRAME. (HEAVY END)
- INSERT EXTENSION ARMS AT THE COLUMN END OF THE PORTABLE CARRIER FRAME (LIGHT END)
- LIFT PORTABLE CARRIER BY THE EXTENSION ARM HANDLES AND PUSH INTO POSITION.
- ALSO SEE DWG No. M-2-A01 FOR MORE ASSEMBLY DETAILS.

<p><b>REGINALD BENNETT INTERNATIONAL Inc. RBI</b></p> <p>"OUR PRODUCTS SAVE LIVES"</p> <p>PATENT PENDING</p>	<p>DWG NAME: <b>Detachable Wheel -Portable Carrier Unit</b></p>			<p>VIEW: <b>ISO/TOP</b></p>	
	<p>DATE: (MM/DD/YY) <b>07/28/96</b></p>	<p>DRAWN BY: <b>Steve McCarley</b></p>	<p>MATERIAL: <b>N / A</b></p>	<p>ISSUED TO:</p>	<p>JOB No.: <b>RBI001</b></p>
	<p>SCALE: <b>NONE</b></p>	<p>UNITS: OK'D BY: <b>INCHES</b></p>	<p>FILE NAME: <b>RB D CARY2</b></p>	<p>DWG No.: <b>M-2-A08</b></p>	